

Drawing



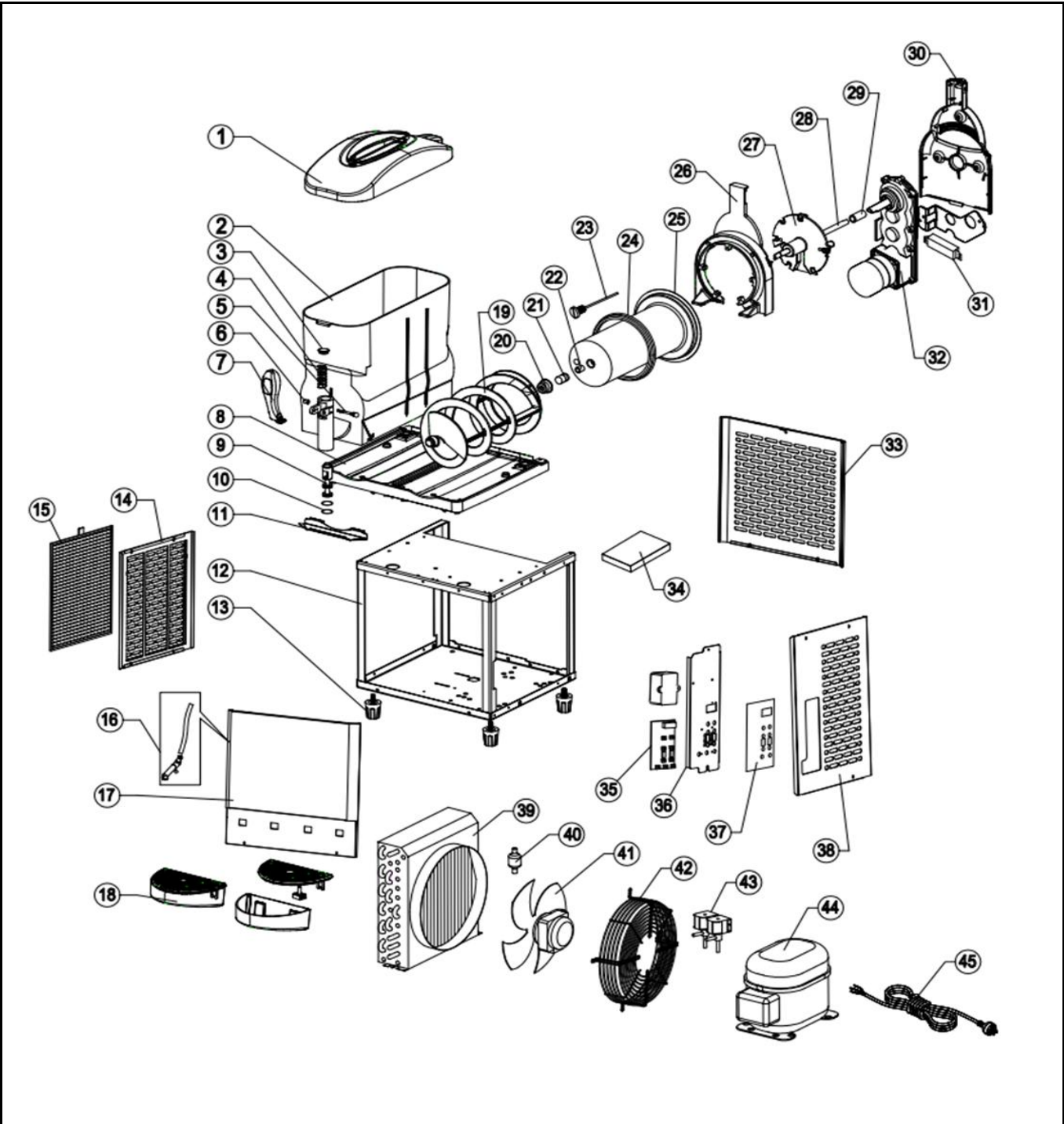
Tools for Chefs

Hendi B.V.
 Innovatielaan 6
 6745XW De Klomp
 The Netherlands


Batch #	Appliance part#
000000 and up	274354

Description
Slush machine 1x12L

Date	05-05-2026	Revision #	V.01
Revision	First Bill of Materials (BOM)		



Bill of materials (BOM)

 <b style="font-size: 24px; margin-left: 10px;">HENDI Tools for Chefs Hendi B.V. Steenoven 21 3911 TX Rhenen The Netherlands	Batch #	Appliance part#
	000000 and up	274354
	Description	
Slush machine 1x12L		


Date	05-05-2026	Revision #	V.01
Revision	First Bill of Materials (BOM)		

Item	Description	Part#	Quantity	Remark	Picture
1	Lid complete	946534	1		
2	Bowl	946541	1		
3	Seal (faucet top)	973240	1		
4	Spring of tap	nss	1		
5	Lockpin	973257	1	Incl. item 6	
6	Nut of pin	nss	1		
7	Lever faucet	nss	1		
8	Housing panel (top)	n/a	1		
9	Lever faucet	nss	1		
10	Seal faucet	946985	2		
A	Faucet complete	946565	1	Incl. item 4, 5, 6, 7, 9 and 10	
11	Deflector	946589	1		
12	Frame	n/a	1		
13	Feet	946596	4	Set of 4pcs	
14	Housing panel (left)	n/a	1		
15	Condenser filter	973264	1		
16	Drain tube	946602	1		
17	Housing panel (front	n/a	1		
18	Drip tray	946619	1		
19	Auger	946626	1		
20	Seal auger	946633	1		
21	Seal of axis	946640	1		
22	Washer	n/a	1		
23	Sensor	946688	1		
24	Silicone seal container/evaporator	946657	1		
25	Evaporator	n/a	1		
26	Evaporator bracket	n/a	1		
27	Axle bracket	n/a	1		
28	Axle	n/a	1		
29	Axle connector	n/a	1		
30	Evaporator bracket cover	n/a	1		
31	E-driver module for motor	946992	1		
32	Brushless DC motor	946664	1		
33	Housing panel (back)	n/a	1		
34	Power supply	946671	1		
35	Control PCB	973271	1		
36	Control PCB bracket	n/a	1		
37	Control panel sticker	973288	1		
38	Housing panel (right)	n/a	1		
39	Condenser	n/a	1		
40	Dryer filter	n/a	1		
41	Condenser fan	957783	1		
42	Protective grid	n/a	1		
43	Solenoid valve	973295	1		
44	Compressor	n/a	1	PA90HMF	
45	Power cord	946749	1		

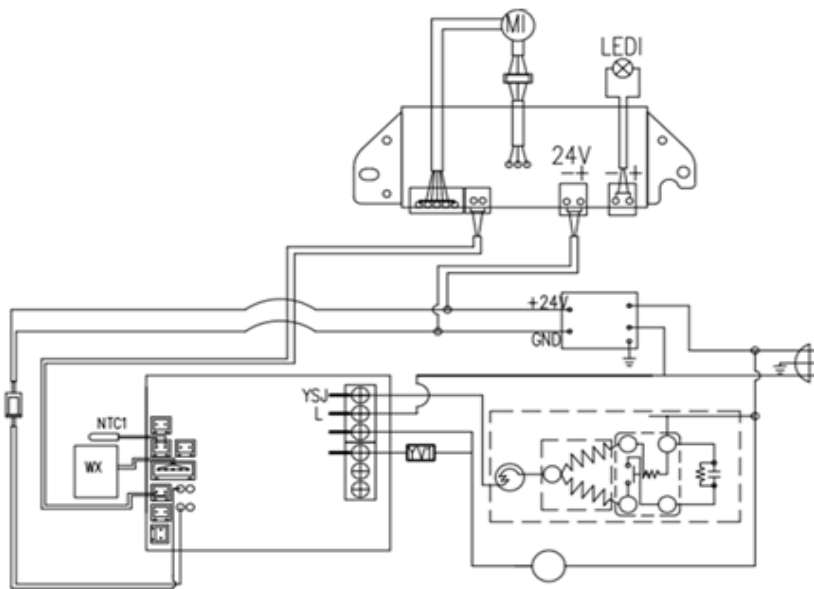
n/a -> not available

nss -> not sold separately

Circuit diagram

 <b style="font-size: 2em; margin-left: 10px;">HENDI Tools for Chefs Hendi B.V. Steenoven 21 3911 TX Rhenen The Netherlands	Batch #	Appliance part#
	000000 and up	274354
	Description	
	Slush machine 1x12L	

Date	05-05-2026	Revision #	V.01
Revision	First Bill of Materials (BOM)		



- T: Power supply
- M1: Compressor
- FA: Compressor overload
- KA: Compressor relay
- C: Start capacitor
- M2: Condenser fan motor
- YV1: 1 Solenoid valve
- NTC1: 1 Sensor
- WX: Temperature display
- MI: 1 Gear motor
- LED1: 1 LED light

Dimentional drawing



HENDI

Tools for Chefs

Hendi B.V.

Steenoven 21
3911 TX Rhenen
The Netherlands

Batch #

000000 and up

Appliance part#

274354

Description

Slush machine 1x12L

Date 05-05-2026

Revision # V.01

Revision First Bill of Materials (BOM)

