

Drawing



Tools for Chefs

Hendi B.V.  
 Steenoven 21  
 3911 TX Rhenen  
 The Netherlands

Batch #

HK088719 and up

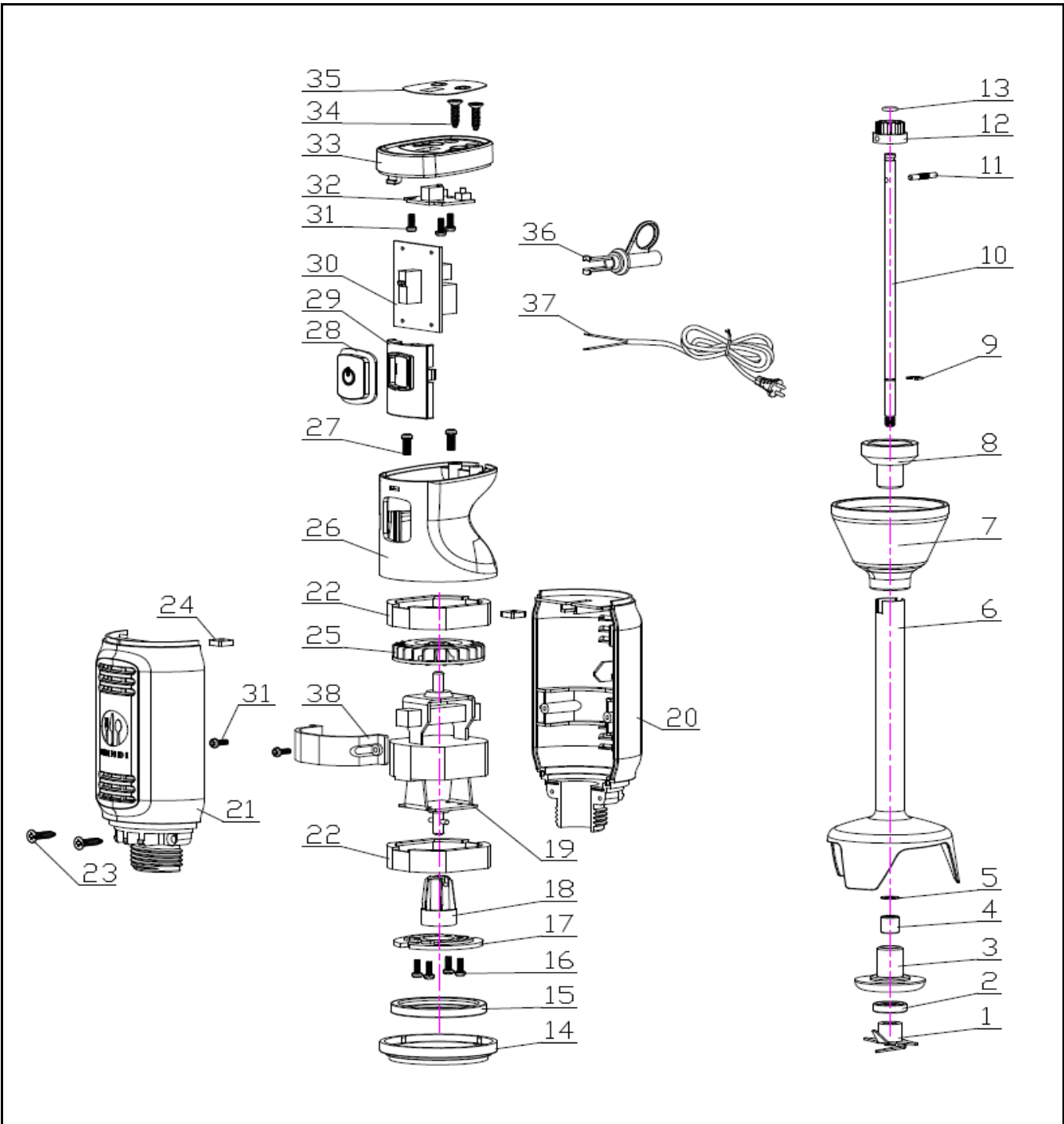
Appliance part#

222157


Description

Stick blender concept line

<b>Date</b>	07-11-2025	<b>Revision #</b>	Revision version
<b>Revision</b>	First bill of materials (BOM)		



### Bill of materials (BOM)

 <b style="font-size: 24px; margin-left: 10px;">HENDI</b> <small style="color: green; margin-left: 10px;">Tools for Chefs</small> <b>Hendi B.V.</b> Steenoven 21 3911 TX Rhenen The Netherlands	<b>Batch #</b>	<b>Appliance part#</b>
	HK088719 and up	<b>222157</b>
	<b>Description</b>	
<b>Stick blender concept line</b>		


<b>Date</b>	07-11-2025	<b>Revision #</b>	Revision version
<b>Revision</b>	First bill of materials (BOM)		

Item	Description	Part#	Quantity	Remark	Picture
1	Blade	929773	1	Also available as 929872	
2	Seal ring	nss	1	Available as 929872	
3	Bushing	nss	1	Available as 929872	
4	Bearing	nss	1	Available as 929872	
5	Retaining ring	nss	1	Available as 929872	
6	Shaft	nss	1	Available as 929872	
7	Holder shaft	nss	1	Available as 929872	
8	Bushing holder shaft	nss	1	Available as 929872	
1 - 13	Stick complete	929872	1	Incl item 1,2,3,4,5,6,7,8,9,10,11,12,13	
9	E shape ring	nss	1	Available as 929872	
10	Drive axle	nss	1	Available as 929872	
11	Pin	nss	1	Available as 929872	
12	Coupler Male	nss	1	Available as 929872	
13	O-ring	nss	1	Available as 929872	
14	Ring	n/a	1		
15	Damper	n/a	1		
16	Screw	n/a	4		
17	Bracket	n/a	1		
18	Coupler Female	971826	1		
19	Motor	n/a	1		
20	Housing right part	n/a	1		
21	Housing left part	n/a	1		
22	Damper	n/a	2		
23	Screw	n/a	2		
24	Nut	n/a	2		
25	Fan motor	nss	1		
26	Upper housing	n/a	1		
27	Screw	n/a	2		
28	Grommet (on/off)	nss	1		
29	Bracket	nss	1		
30	PCB	n/a	1		
31	Screw	n/a	3		
32	Control pcb	n/a	1		
33	Top cover	n/a	1		
34	Screw	n/a	2		
35	Display sticker	n/a	1		
36	Strain Relief	n/a	1		
37	Power cord with plug	n/a	1		
38	Bracket	n/a	1		

n/a -> not available

nss -> not sold separately

Circuit diagram

 <b>HENDI</b> Tools for Chefs Hendi B.V. Steenoven 21 3911 TX Rhenen The Netherlands	<b>Batch #</b>	<b>Appliance part#</b>
	HK088719 and up	<b>222157</b>
	<b>Description</b>	
	Stick blender concept line	

<b>Date</b>	07-11-2025	<b>Revision #</b>	Revision version
<b>Revision</b>	First bill of materials (BOM)		

